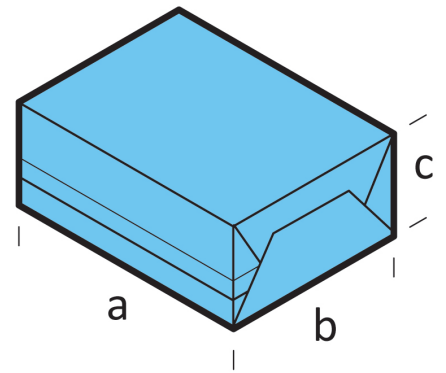


# Semi-Auto Series

- Trailing edge seal & base seal presentation
- Overwraps up to 10 packs per minute
- Single phase electrics & no pneumatics
- Fully flexible - no change parts



Model	Semi-Auto series
Speed	10 overwraps per minute*
'a' pack length:	60-300mm
'b' pack width:	40-200mm
'c' pack height:	25-100mm

\* Maximum for this range, output speed depends on pack size. Other range, speeds and pack size capabilities are available.

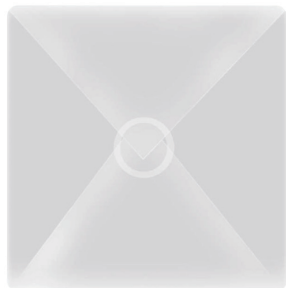
All ME Semi-Auto series overwrappers comply with international safety standards, are supplied fully guarded and CE marked.

## Standard fitments include:

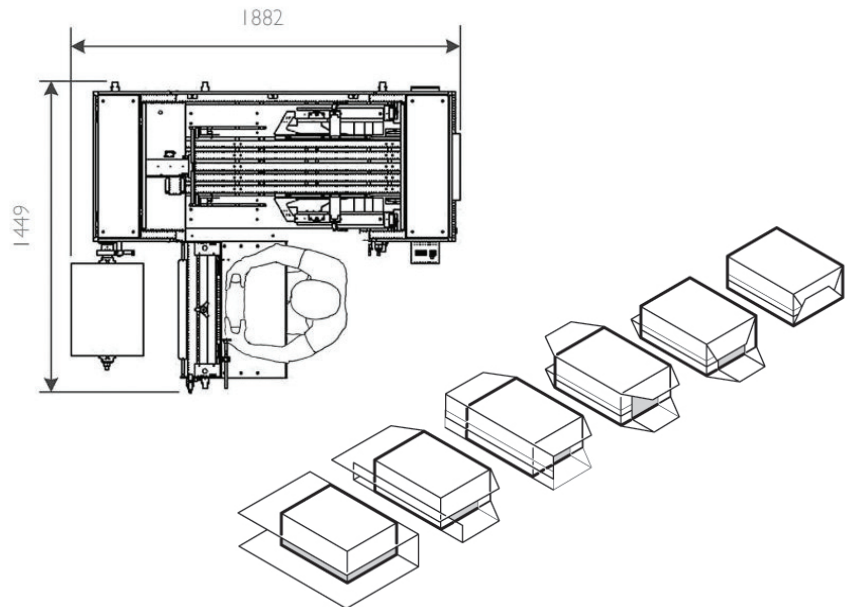
- Inverter driven film feed, adjustable via digital controller
- Inverter driven transfer pusher
- External side loading film reel
- No change parts
- Fully adjustable, simple and fast size changeover
- Flock finish on pack contact parts
- Individual pack transportation through folding deck and end sealers
- Single phase electrics
- No pneumatics

## Optional fitments include:

- Tear tape applicator
- Dual film slitter with powered waste take-up
- Cosmetic quality spot or bar end seal profiles



Optional cosmetic quality spot seal





enhance



protect



secure

Marden Edwards, founded more than 50 years ago, is the world leader in the development, design, manufacture and supply of overwrapping and packaging machinery. Over 10,000 overwrapping systems have been manufactured in our UK factories and supplied into more than 150 countries worldwide.

A complete range of tuck and fold overwrapping machines cover a wide range of applications for a variety of products, formats, and performance. We have a comprehensive worldwide network of trade partners to ensure the permanent availability of expertise and service local to you.



OVERWRAPPING TECHNOLOGY

2 Nimrod Way, East Dorset Trade Park,  
Wimborne, Dorset, BH21 7SH, UK

Tel +44 (0) 1202 861200

Fax +44 (0) 1202 861400

[info@mardenedwards.com](mailto:info@mardenedwards.com)

[www.mardenedwards.com](http://www.mardenedwards.com)

Connect with us

